

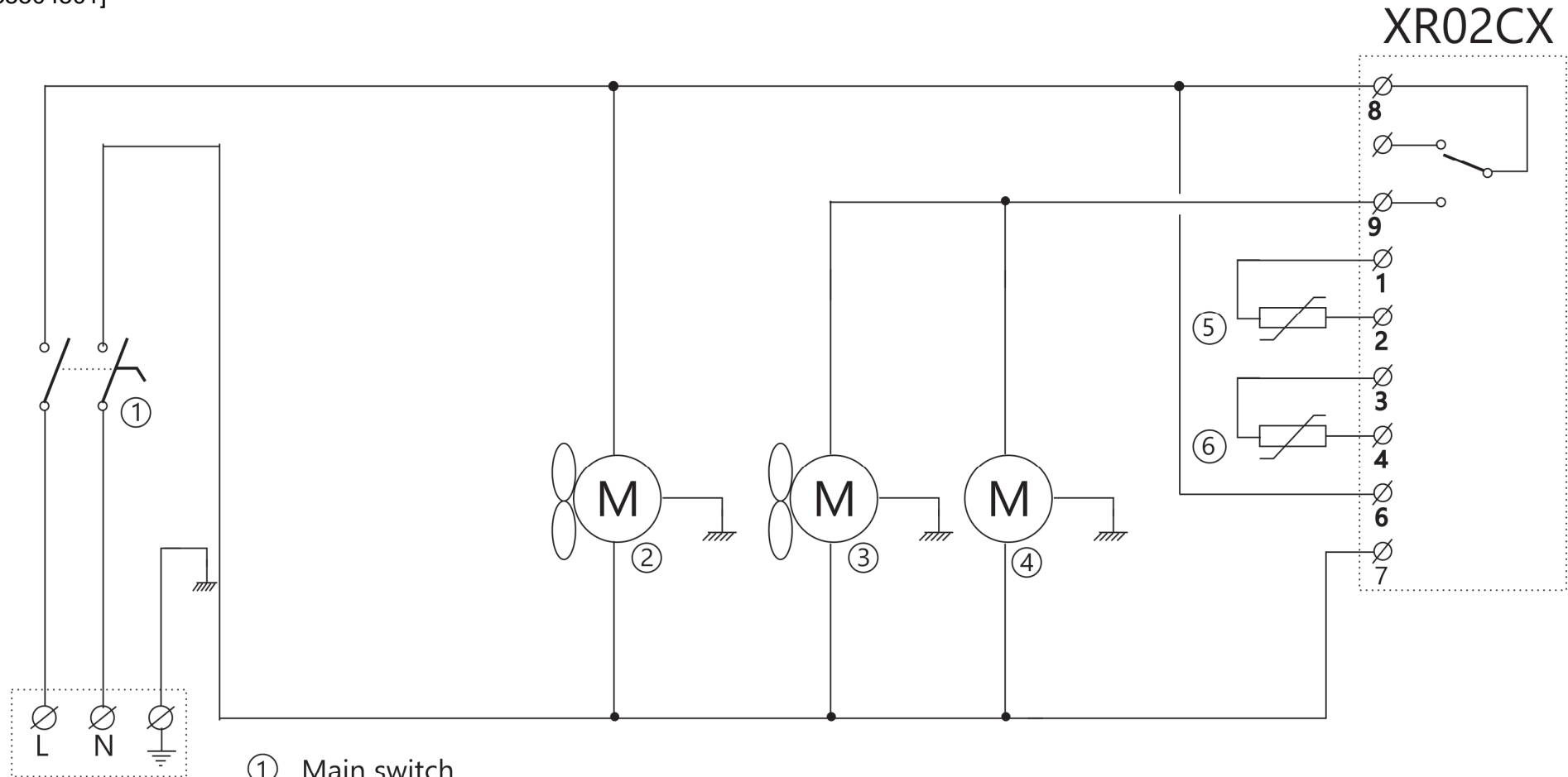
Schaltplan

COOL-LINE-Universalkühltisch SLIM 2Z

[Art. 435504501]

NordCap®

COOL-LINE



XR02CX