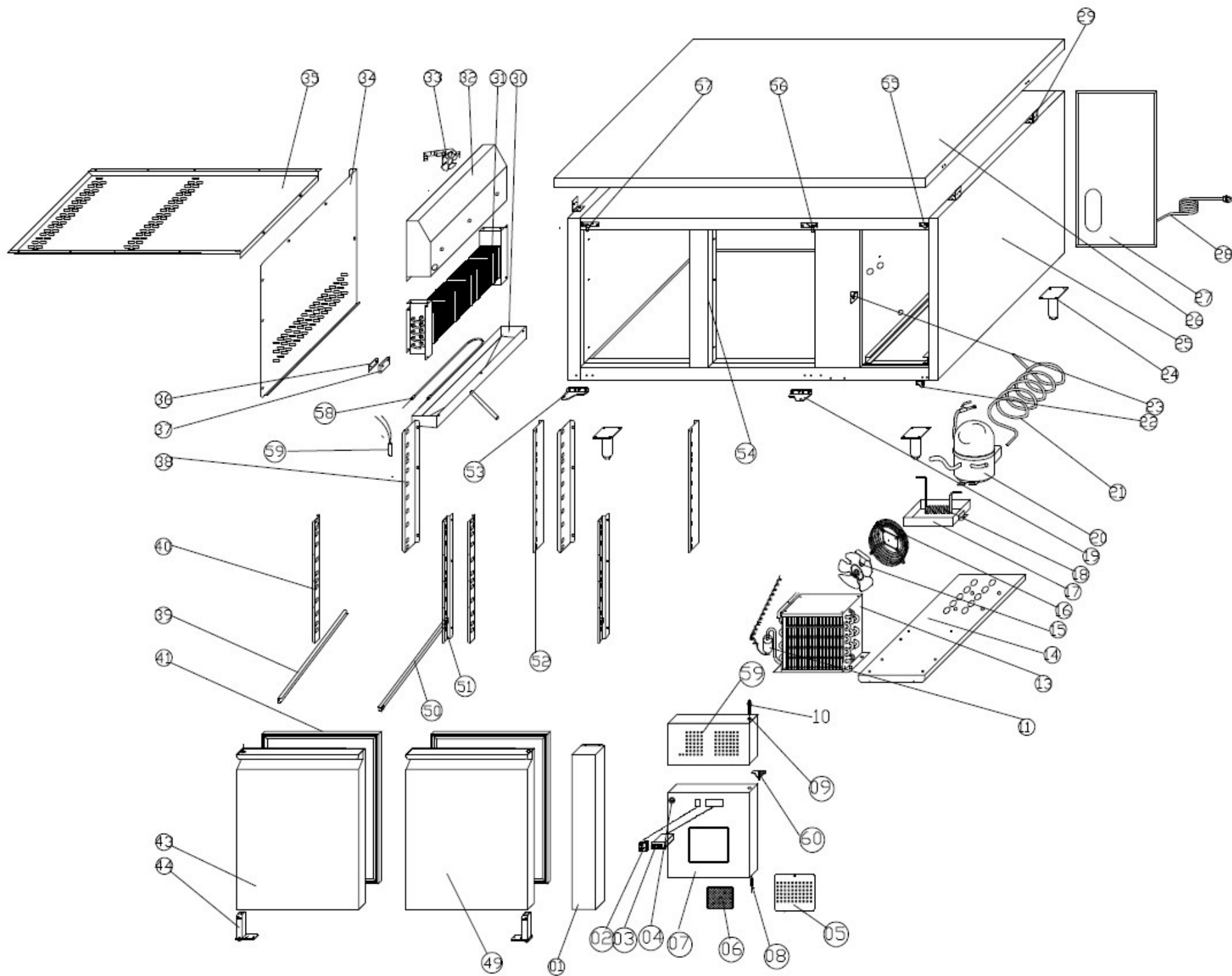


Explosionszeichnung

Bäckerei Kühltsch
BKTM 210



KBS Gastrotechnik GmbH - Johannes-Kepler-Str. 14 - 55129 Mainz



SPARE PARTS LIST

NO.	CODE	NAME	MODEL	QUY.
1	GN2100TN.01	FIXED FRONT PANEL		1PC
2	GN650BT.16C	THERMOSTAT	XR06CX	1PC
3	S900.01	MAIN SWITCH	DRH-2415-3	
4	GN2100TN.86	LOCK		1PC
5	G-GN2100(L149)	AIR FLOW WINDOW		1PC
6	U-GN2100TN.03N	FILTER		1PC
7	GN2100TN.02L15	FRONT PANEL		1PC
8	GN2100TN.03	HINGE AXIS	Φ7	2PCS
9	GN2100TN.07	BUSHING	Φ7	4PCS
10	GN2100TN.06	NUT	M5	2PCS
11	GN70TN.23	FILTER DRIER	20g	1PC
13	GN2100TN.08	CONDENSER	1/4HP	1PC
14	GN2100TN.09	UNIT BOARD		1PC
15	S900.37	CODENSER FAN	BD01-01/Φ200	1PC
16	U-GN2100.35	BASKETC GUARD GRILLS		1PC
17	GN2100TN.10	WATER BOX		1PC
18	GN2100TN.11	EVAPORATE PIPE	Φ6	1PC
19	GN2100TN.12R	DOOR DOWN HINGE RIGHT		1PC
20	G-S903.01	COMPRESSOR	HPKD190A	1PC
21	G-GN2100TN.13	SUCTION PIPE	Φ8	1PC
22	GN2100TN.14D	FRONT PANEL DOWN HINGE		1PC
23	GN2100TN.15	LOCK HOOK		1 PCS
24	GN650TN.07	FEET	H=150	4PCS
25	PA2100TN.1N	BODY		1PC
26	PA2100TN.2N	TOP		1PC
27	GN2100TN.18	UNIT ROOM COVER		1PC
28	S900.47	PLUG		1PC
29	GN2100TN.68	TOP FIXED BOARD		4PCS
30	GN2100TN.20	EVAPORATOR WATER PAN		1PC
31	GN2100TN.21	EVAPORATOR		1PC
32	G-GN2100TN.22	FAN SUPPORT		1PC
33	G-GN2100TN.11	CIRCUIT FAN	EC-2P	1PC
34	G-PA2100TN.03	EVAPORATOR COVER		1PC
35	PA2100TN.4	AIR FLOW CONDUCT BOARD		1PC
36	GN650TN.12	SENSOR FIXED CLIP		1PC
37	GN650TN.17	PROBE PADDING		1PC
38	PA2100TN.5L	BACK SUPPORT LEFT		2PCS
39	PA2100TN.6L	GUIDE LEFT		2PCS
40	PA2100TN.7L	FRONT SUPPORT LEFT		2PCS
41	PA2100TN.9	GASKET		2PCS
43	PA2100TN.10LN	DOOR (DOOR WITH		1PC
44	GN650TN.14	DOOR SPRING HINGE		2PCS
49	PA2100TN.10RN	DOOR (DOOR WITH		1PC
50	PA2100TN.6R	GUIDE RIGHT		2PCS
51	PA2100TN.7R	FRONT SUPPORT RIGHT		2PCS

52	PA2100TN.5R	BACK SUPPORT RIGHT		2PCS
53	GN2100TN.12L	DOOR HINGE LEFT		1PC
54	GN2100TN.87	MIDDLE BRIDGE		1PC
55	GN2100TN.14U	FRONT PANEL UP HINGE		1PC
56	GN2100TN.65R	DOOR UP HINGE RIGHT		1PC
57	GN2100TN.65L	DOOR UP HINGE LEFT		1PC
58	G-GN2100TN.12	DEFROST HEATING		1PC
59	GN2100BT.10	PROTECTOR FOR HEATING		1PC
60	GN2100TN.78	UP PANNEL		1PC
61	GN2100TN.77	MIDDLE HINGE		1PC